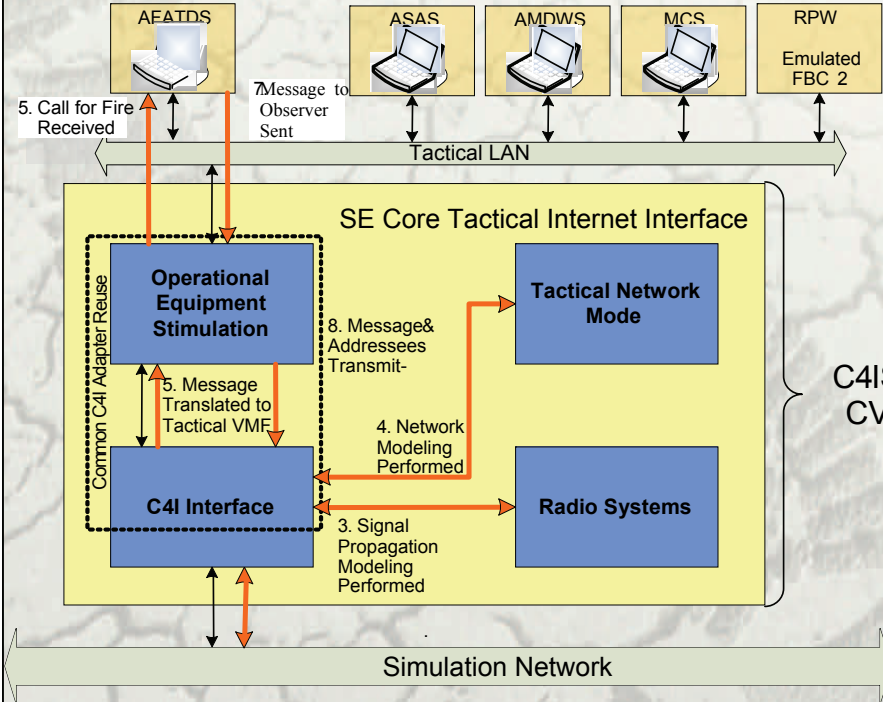




# C4ISR CVC Fact Sheet

Command, Control, Communications, & Computer Intelligence

Surveillance & Reconnaissance



## Supported C4ISR systems

- FBCB2—CCTT, BATS, CGA
- BFT—AVCATT
- MCS—CCTT, AVCATT

## Supported C4ISR message formats

### Planned

- VMF—FBCB2, AMDWS, ASAS, MCS, AFATDS

### Future

- USMTF—AMDWS, ASAS, MCS, AFATDS
- FS Pkg 11— AFATDS, replaces FS Pkg 10/TACFIRE

## Planned Adopters

- AVCATT (1st Adopter)
- Ft Rucker Simulation Center

## Potential Future Adopters

- CFFT
- CCTT
- Stryker

## Documentation

Component Contract includes:

- Requirements Specifications
- SDD
- Interface Definition
- Build Procedures
- Install Procedures
- Runtime Procedures
- Training Material
- User Manual

## Capabilities

- The Tactical Internet Interface (TII) provides data communications between the Tactical Internet (TI) and the virtual simulation
- Enables live C4I systems to stimulate and be stimulated by the virtual simulation battlespace
- Translates C4I messages from live C4I systems, connected to the TI, to the Virtual DIS Simulation Network Protocol for use within a virtual simulation
- Acts as bridge between the internal elements of a Training System and the external tactical C4ISR equipment within a Tactical Operations Center (TOC)
- Includes data format conversions, data validation, and communications standards, ensuring that messages passing between the live and virtual environments are comprehensible by recipients on both sides of the TII.
- The SA Generator will provide the SA picture for entities that do not already produce their own position reports (K04.01), spot reports (K05.01), and entity data (K05.19) messages.

## Reuse Options

- Support as stand alone functionality,
- Support full replacement for existing simulation specific systems
- Support integration as a product into existing architectures

## Distribution Process

Software distribution of products shall be made by the PM CATT Post Production Software Support (PPSS) Lab, upon receipt and approval of the request that was made through the SE Core portal.

- **GUI driven application that is designed for user, operator, technician ease of use**
- **Easy to adopt and integrate**
- **Leverages proven product (PEOSTRI Common C4I Adapter)**
- **Minimize LCC while providing added capability to warfighter training**